

Technical Data		CFS50- AAZ0-S02
Number of lines per revolution		2,048
Commutation signals		(See diagram, page 3) other commutation on request
Dimensions		mm (see dimensional drawing)
Mass		0.1 kg
Moment of inertia of the rotor		10 gcm ²
Measurement step		90°/number of lines
Reference signal	No. off Position	1 90° electr. logically linked with A and B
Error limits		± 0.05°
Measuring step deviation		± 0.01°
Max. output frequency		600 kHz
Max. operating speed		12,000 min ⁻¹
Working speed		6,000 min ⁻¹
Max. angular acceleration		0.2 x 10 ⁶ 1/s ²
Operating torque		0.2 Ncm
Starting torque		0.4 Ncm
Permissible shaft movement		
static	radial/axial	± 0.5 mm/ ± 0.75 mm
dynamic	radial/axial	± 0.1 mm/ ± 0.2 mm
Angular motion, perpendicular to the rotational axis		
static		± 0.005 mm/mm
dynamic		± 0.0025 mm/mm
Life of ball bearings		3.6 x 10 ⁹ revolutions
Working temperature range		- 20 ... +115 °C
Storage temperature range ¹⁾		-40 ... +125 °C
Permissible relative humidity ²⁾		90 %
Resistance		
to shocks ³⁾		100 g/6 ms
to vibration ⁴⁾		20 g/10...2000 Hz
Protection class to IEC 60529		IP 40
EMC ⁵⁾		
Operating voltage range		5 V ± 10%
Max. operating current, no load		60 mA
Interface details:		
Output driver		EIA standard RS422
Output signal sequence		See pulse diagram (page 3)

¹⁾ Without packaging

²⁾ Condensation not permissible

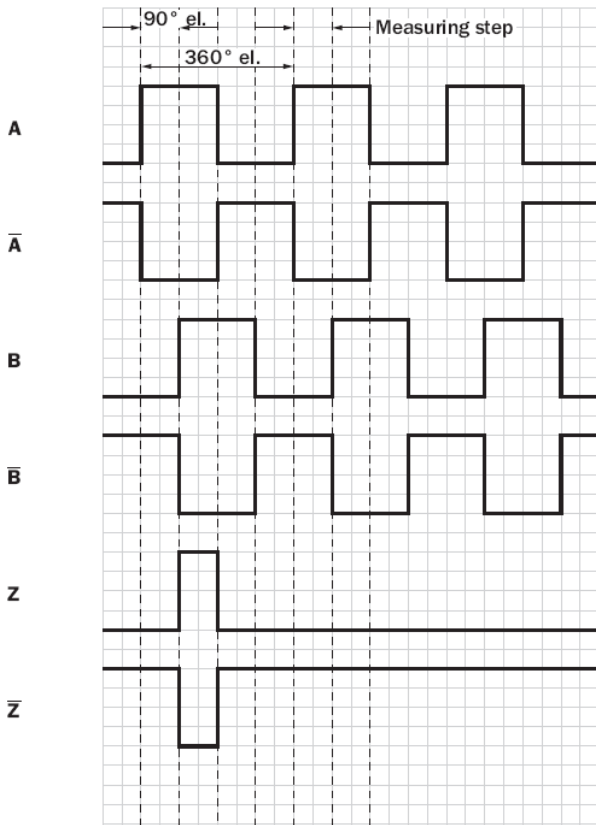
³⁾ According to EN 60068-2-27

⁴⁾ According to EN 60068-2-6

⁵⁾ According to EN 61000-6-2 and EN 61000-6-3

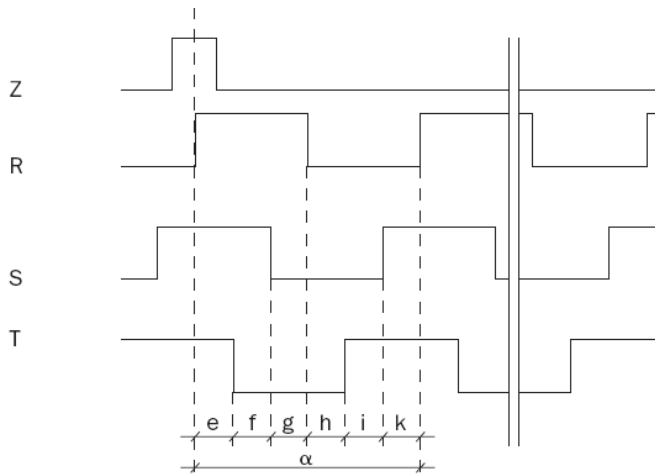
The EMC according to the standards quoted is achieved when the motor feedback system is mounted in an electrically conductive housing, which is connected to the central earthing point of the motor controller via a cable screen. This is also where the GND (0 V) connection of the supply voltage is linked to earth. Users must perform their own test when other screen designs are used.

Incremental signals



At constant speed, looking at the input shaft, and clockwise rotation.

Pulse-time diagram



Flank accuracy Signals R, S, T $\pm 1^\circ$

Pole pairs	Number of poles	e, f, g, h, i, k	α
3	6	20°	120°

The angular data is related to a mechanical shaft rotation.

Mounting instruction

Motor Feedback System with Plug-in Shaft and Rubber Support

Assembly

Block customer's drive shaft (1) to prevent rotation. Remove label (2) and insert connector with strain relief (3) volt-free, resp. Screw pressing tool onto the B-side encoder shaft end (6). Spray activator onto the encoder shaft (4) and into the hole of the drive shaft. Thinly apply adhesive onto the encoder shaft (4). Plug encoder shaft (4) in drive shaft (1) and continuously press, with the pressing tool, up to the stop (5);

Do not hit with a hammer or similar tool!!!

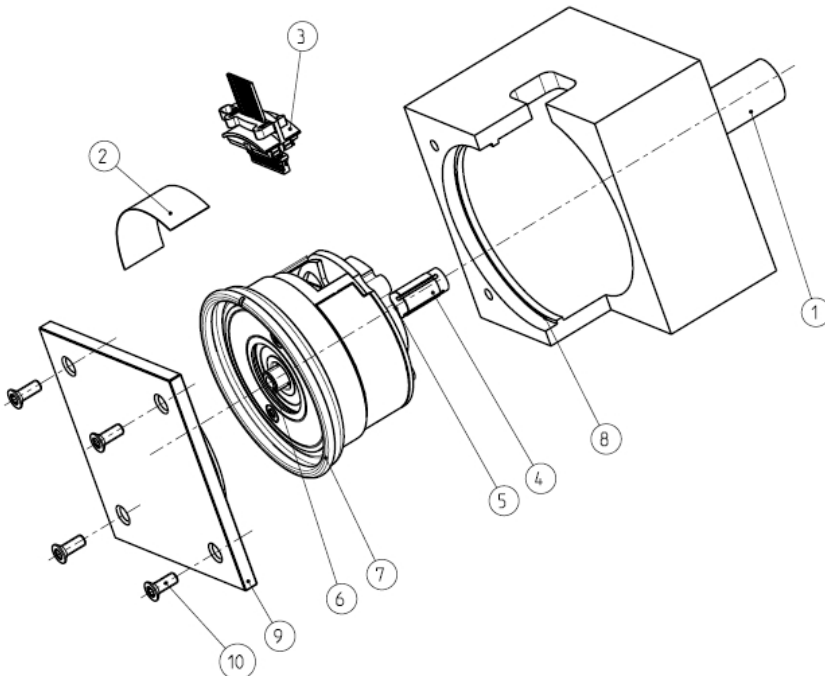
Pressing force required = 250 N - 500 N

Remove pressing tool.

Press housing collar (7) into customer's housing groove (8). Press housing cover (9) into the rubber housing and fix with screws (10). If the cover can only be pressed in with difficulty, the housing collar (7) can be lightly greased (use high temperature grease 160°C). Only test encoder function after the adhesive is fully cured (8 hours approx.) and, at this time, do not make any mechanical adjustments such as commutation.

Disassembly

Block customer's drive shaft (1) to prevent rotation. Undo electrical connection, volt-free. Remove housing cover (9) by undoing the screws (10). Attach the removal tool to the B-side encoder shaft end on the B-side (6) and pull the encoder off.



Australia

Phone +61 3 9497 4100
1800 33 48 02 – tollfree
E-Mail sales@sick.com.au

Belgium/Luxembourg

Phone +32 (0)2 466 55 66
E-Mail info@sick.be

Brasil

Phone +55 11 3215-4900
E-Mail sac@sick.com.br

Ceská Republika

Phone +420 2 57 91 18 50
E-Mail sick@sick.cz

China

Phone +852-2763 6966
E-Mail ghk@sick.com.hk

Danmark

Phone +45 45 82 64 00
E-Mail sick@sick.dk

Deutschland

Phone +49 211 5301-301
E-Mail kundenservice@sick.de

España

Phone +34 93 480 31 00
E-Mail info@sick.es

France

Phone +33 1 64 62 35 00
E-Mail info@sick.fr

Great Britain

Phone +44 (0)1727 831121
E-Mail info@sick.co.uk

India

Phone +91-22-4033 8333
E-Mail info@sick-india.com

Israel

Phone +972-4-999-0590
E-Mail info@sick-sensors.com

Italia

Phone +39 02 27 43 41
E-Mail info@sick.it

Japan

Phone +81 (0)3 3358 1341
E-Mail support@sick.jp

Nederlands

Phone +31 (0)30 229 25 44
E-Mail info@sick.nl

Norge

Phone +47 67 81 50 00
E-Mail austefjord@sick.no

Österreich

Phone +43 (0)22 36 62 28 8-0
E-Mail office@sick.at

Polska

Phone +48 22 837 40 50
E-Mail info@sick.pl

Republic of Korea

Phone +82-2 786 6321/4
E-Mail info@sickkorea.net

Republika Slovenija

Phone +386 (0)1-47 69 990
E-Mail office@sick.si

România

Phone +40 356 171 120
E-Mail office@sick.ro

Russia

Phone +7 495 775 05 34
E-Mail info@sick-automation.ru

Schweiz

Phone +41 41 619 29 39
E-Mail contact@sick.ch

Singapore

Phone +65 6744 3732
E-Mail admin@sicksgp.com.sg

Suomi

Phone +358-9-25 15 800
E-Mail sick@sick.fi

Sverige

Phone +46 10 110 10 00
E-Mail info@sick.se

Taiwan

Phone +886 2 2375-6288
E-Mail sales@sick.com.tw

Türkiye

Phone +90 216 587 74 00
E-Mail info@sick.com.tr

United Arab Emirates

Phone +971 4 8865 878
E-Mail info@sick.ae

USA/Canada/México

Phone +1(952) 941-6780
1 800-325-7425 – tollfree
E-Mail info@sickusa.com

More representatives and agencies
in all major industrial nations at
www.sick.com